

# Technical News Bulletin

Steinhausen, November 2016

---



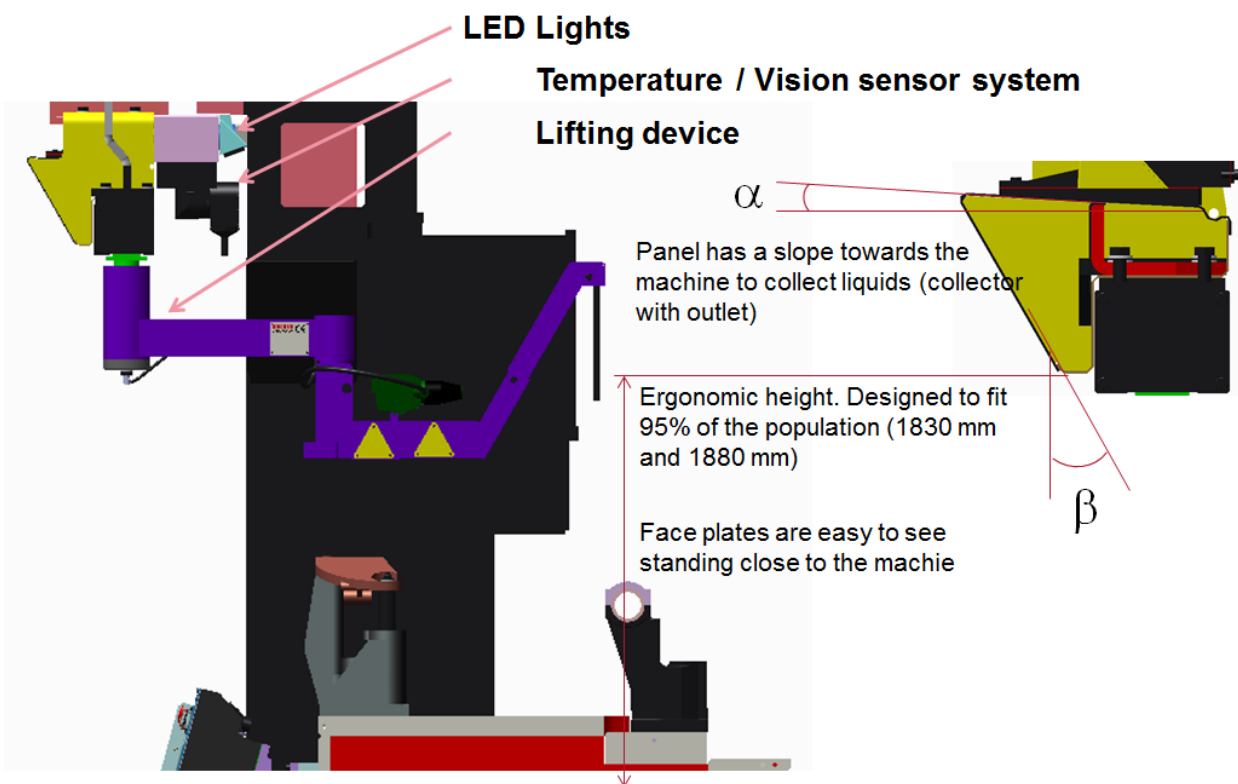
## Blank Side Panel 601-416-00

- Ergonomic operator interface to the section controls.
- Modular design makes it easy for the customer to customize additional equipment.
- Spill liquid collector, overhead cover plates, etc.

## Introduction

The Blank side overhead panel is designed to provide an ergonomic operator interface to the section controls. The panel is prepared for integration of lifting equipment, LED lamps, temperature and vision sensor system.

### Blank side overhead panel with optional equipment



## Features

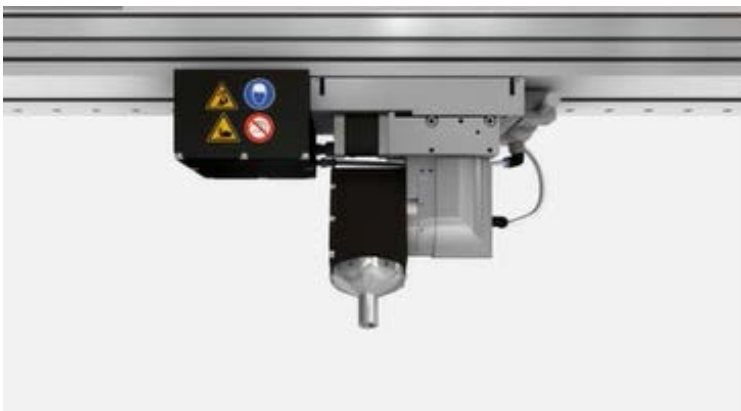
The Blank side overhead panel is prepared for mounting of equipment such as:

- TCS blank side: Temperature Control System
- BlankRadar: Temperature and visualization system
- LED lights: Lamp panel to illuminate the sections
- Lifting device: Crane system to support heavy lift in the section

### **TCS blank side Temperature Control System**

See TNB215

The Temperature Control System (TCS) uses a high speed pyrometer mounted on an automatic positioning system on the blank side. It measures blank mold, plunger and neck ring temperature. The different temperature readings are displayed and recorded. These temperature readings give the process the transparency needed to reduce blank mold, plunger and neck ring temperature variations and lead to improved process stability. Measuring range is 300° to 1300° C



### **LED lights**

See drawing number in table below

Good illumination is important to monitor the process and to make accessory exchange, job change etc. easy and safe. The LED lamp panel on the rear side of the blank side overhead panel improves the illumination of the section. The lamps are located between the sections to have overlapping light and to prevent the section from being shadowed by the operator when leaning into the section for a job change. The separate LED lamp module is powered by a 24 V integrated power supply.

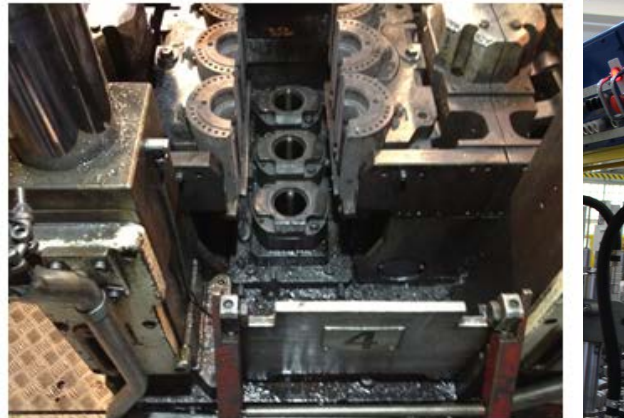
- LED lights are mounted on a separate module

- Lights are situated between sections to overlap and avoid shadowing

NO LED



LED



**Lifting device**

See drawing number in table below

The pneumatically powered lifting device is designed to give the operator support by avoiding heavy lifting when changing mold equipment. The lifting device rail is mounted to the blank side overhead panel. The equipment is CE certified for a maximum lifting weight of 125 kg. The crane has 2 speeds for up and down movement. If pneumatic power is lost the load is locked at the actual position.

- Lifting range 125 Kg
- Pneumatically driven

**Availability / Application**

- IS 6 – 12 section machines
- AIS 8 – 12 section machines
- NIS 8 – 12 section machines
- BIS 8 – 12 section machines

Description	Part Number
Blank Side Panel	601-416-00
Blank Panel IS AIS BIS NIS	200-1952-00

Lifting device	200-5116-00
Lamp bracket	200-1951-00 gr
Indication Lamp bracket	200-1951-00 see Note 1
Mounting parts TCS Note TCS measurements are restricted for IS machines see Note 2	200-1954-00
Ref. Blank side Panel (electric equipment)	601-416-00

Note 1: LED located in the center of the section

Note 2: TCS can only measure blank temperature on one side of the molds on the most outer sections.

## Installation Requirements

The panel and additional equipment is assembled on the machine structure.

For TCS and Blank Radar the panel is mounted in the outer position.

For retrofit see separate manuals for installation requirements.

## Features / Benefits *[Heading]*

Features	Benefits
Ergonomic control interface	Height adopted to 95 % of the population
Spill liquid collector	Spill liquids are collected and directed to the end of the panel for collection and removal
Overhead cover plates	The panel is prepared for mounting of overhead cover plates to protect the operator
Modular design	Easy for the customer to customize additional equipment.
TCS blank side Temperature Control System	Provide automatic temperature measurement for the Blank mold temperature system feedback system
Lifting device	Ergonomically help for the operators when there are heavy lifts
Lamp Bracket	Illuminate the sections for monitoring the process and when operator manually interacts with the section.

Indication Lamp Bracket	Possibility to illuminate the section for indication purpose when swab cycle is activated
-------------------------	---